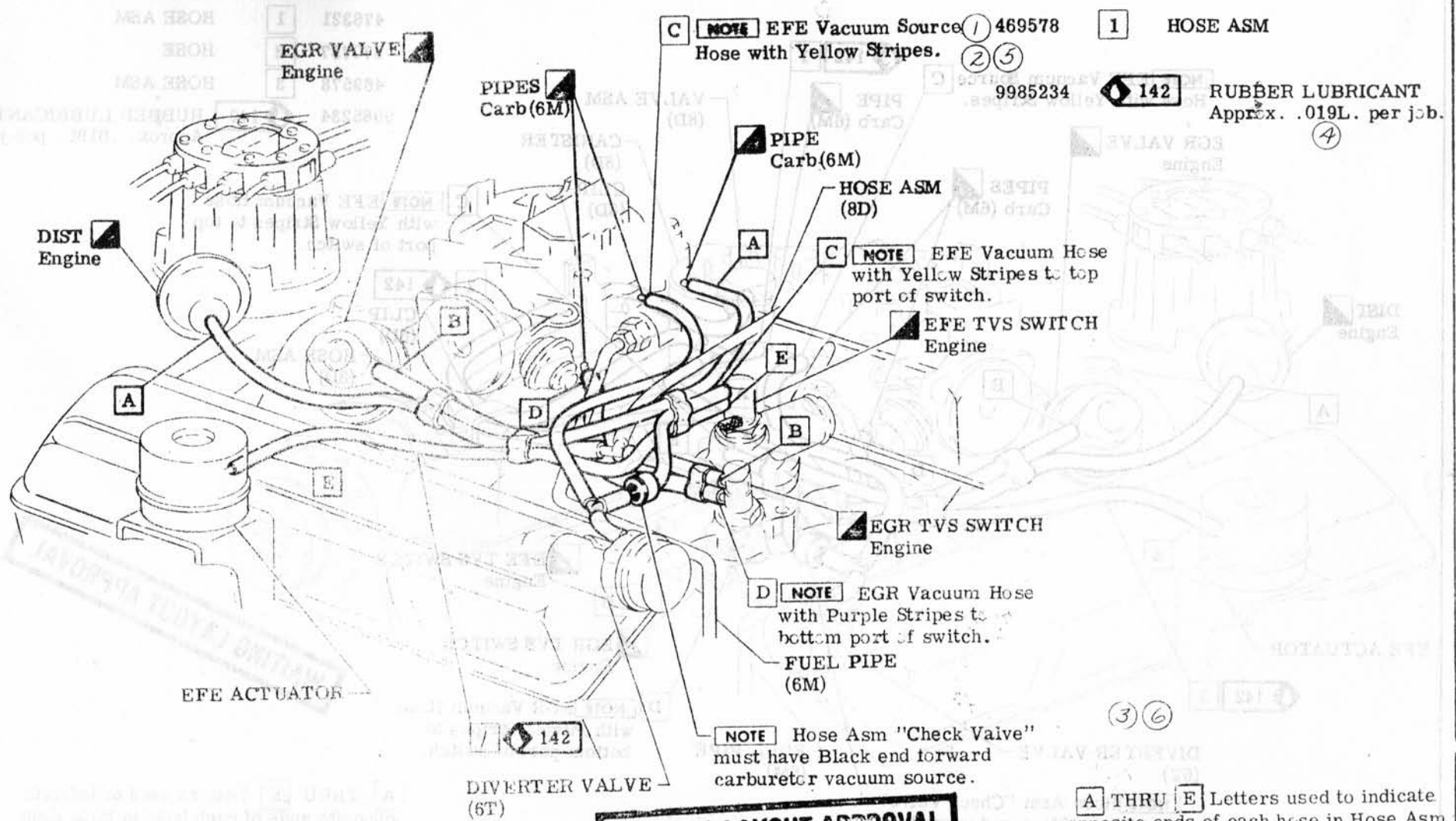


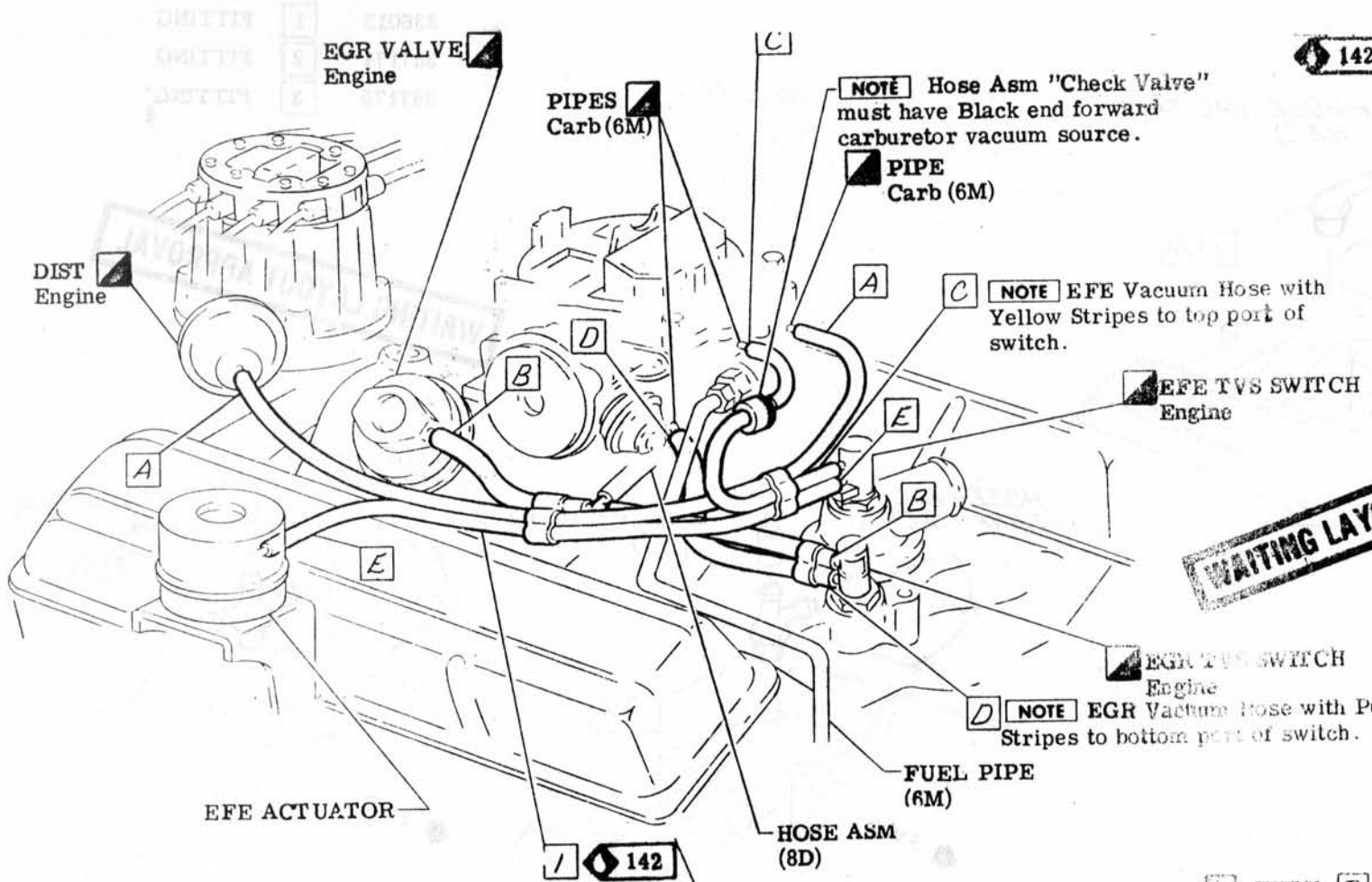
327



WAITING LAYOUT APPROVAL

[A] THRU [E] Letters used to indicate opposite ends of each hose in Hose Asm for proper routing.

DYNAMIC (Installation)—N-m	HAND (Inspection)—N-m	DATE	SYN	REVISION	AUTH	DR	CK	DATE	TITLE	UPC	SHEET
		2-2-77	1	462578" ADDED	72279	Re	23	3-9-77	'78 CORVETTE "Y" 464887		
		3-4-77	2	ITEM 2 ADDED				DR R KOCH	EMISSION HOSES		
			3	VIEW A ADDED				APP R	1 YA00 & L48 & NB2; & L82		
			4	469578 ".015L"	74056	Re	23	APP R			
		9-22-77	5	469578 HOSE ASM REM				REF ECR 70005			
			6	VIEW A" REM				PREL 2-24-77			
			7	"NA6" REM	76302	Re	22	P-2			



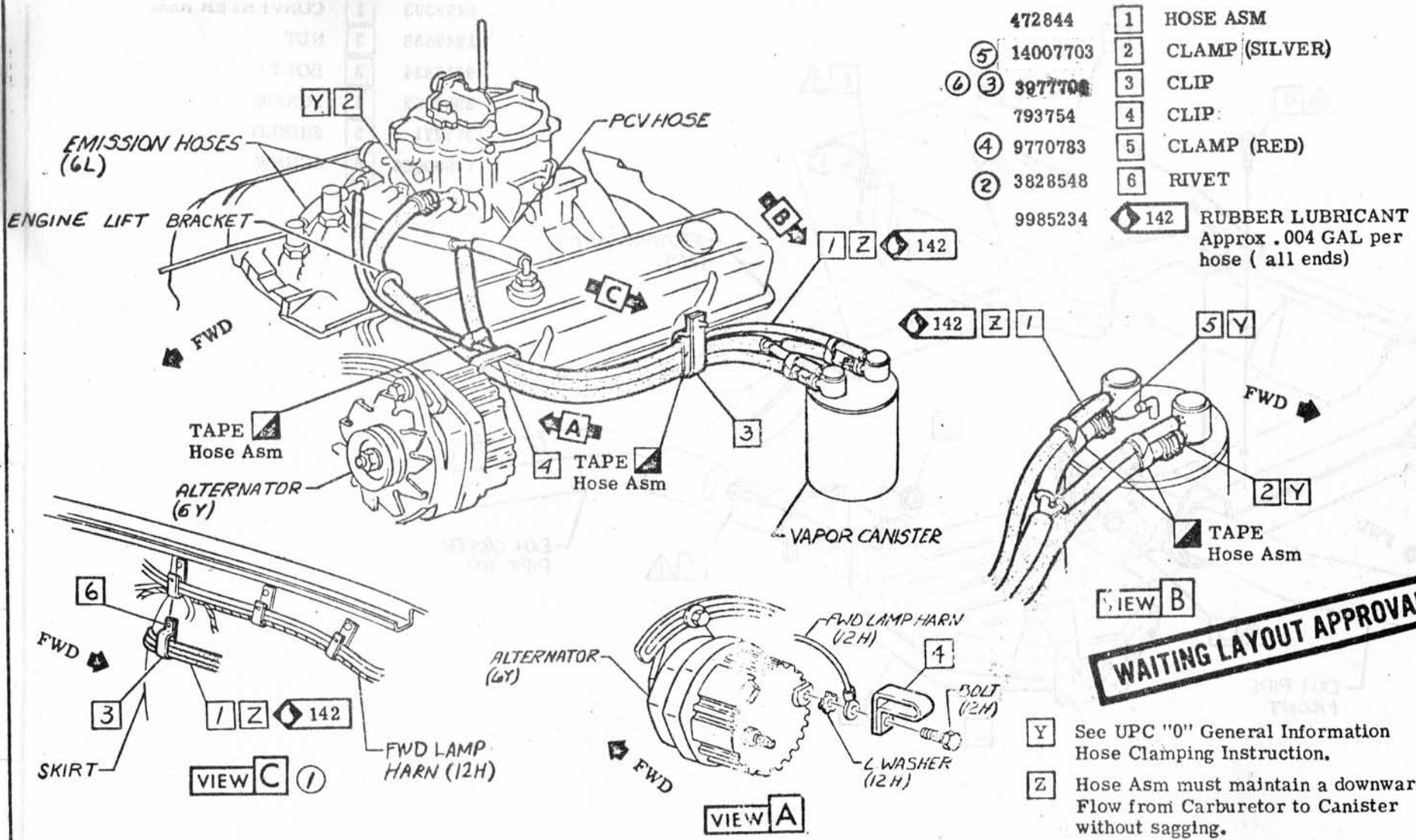
WAITING LAYOUT APPROVAL

A THRU **E** Letters used to indicate opposite ends of each hose in Hose Asm for proper routing.

326

DYNAMIC (Installation)—N.m	HAND (Inspection)—N.m	DATE	SYM	REVISION	AUTH	DR	CK	DATE	TITLE	UPC	SHEET
		4-20-77	1	"469577" ADDED	72879	EC	AK	2-29-77	'78 CORVETTE "Y" 464887		
								DR <i>R KOCH</i>	EMISSION HOSES		
								CHK <i>[Signature]</i>	1 YA00 & L48		
								APPR <i>AK</i>			
								APPR			
								REF ECR 70005			
								PREL 2-23-77			
								P-1			

- ▲
- ▲
- ▲
- ▲
- ▲



- 472844 1 HOSE ASM
- ⑤ 14007703 2 CLAMP (SILVER)
- ⑥ ③ 3977704 3 CLIP
- 793754 4 CLIP
- ④ 9770783 5 CLAMP (RED)
- ② 3828548 6 RIVET
- 9985234 142 RUBBER LUBRICANT
Approx .004 GAL per
hose (all ends)

WAITING LAYOUT APPROVAL

- Y See UPC "0" General Information
Hose Clamping Instruction.
- Z Hose Asm must maintain a downward
Flow from Carburetor to Canister
without sagging.

DYNAMIC (Installation)- N-m	HAND (Inspection)- N-m	DATE	SYM	REVISION	AUTH	DR	CK	DATE
		2-15-77	1	VIEW C ADDED				5-25-77
			2	ITEM (6) ADDED				DP B. LYNE / GMP
			3	467306 ADDED				CK () / () / ()
		10-0-77	4	WAS 9770733 CLAMP				APPR NSI
		4-29-78	5	WAS 3786875 CLAMP	RMC			APPR
			6	WAS 467306 CLIP				APPR

'78 CORVETTE "Y" 464887		
TITLE	CANISTER HOSE ROUTING 1YA00 ALL	
UPC	8D	SHEET 1

75-81 Emission Hose Kit™

Key: W = White; B = Black; T = T-pipe

NB2 = California; NA6 = High Altitude

Number of Hoses + T-Pipes

75 L-48 & L-82	10 hose + T	3750362	24.20
76 L-48 except Calif.	8 hoses	3750363	24.20
76 L-82 or L-48 NB2	12 hoses + T	3750364	27.70
77 L-48 except Calif.	11 hoses	3750365	26.50
77 L-82 or L-48 NB2 or NA6	13 hoses + T	3750366	29.80
78 L-48 except Calif.	12 hoses + T	3750367	27.70
78 L-48 NA6	15 hoses + 3T	3750368	36.30
78 L-82 or L-48 NB2	16 hoses + 3T	3750369	36.80
79 L-48 NA6	17 hoses + 4T	3750370	41.00
79 L-82 or L-48 NB2	16 hoses + 3T	3750371	36.80
79 L-48 except Calif.	17 hoses + 2T	3750372	39.30
80 All	21 hoses + 3T	3750373	39.30
81 Automatic	17 hoses + 3T	3750376	39.30
81 4 Speed	14 hoses + 2T	3750378	39.30

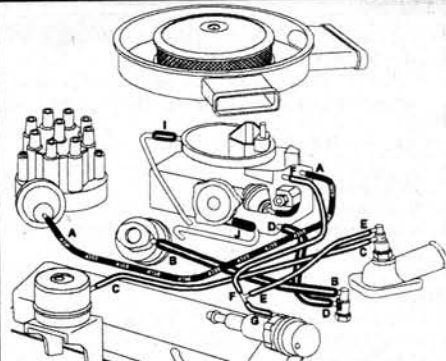
These kits includes as required...

- Hi Temperature Hypalon Hose
- Similar Diameters with Raised Ribs
- Similar Identification Stripes
- Red, Tan, White, Yellow, Purple, Orange, Green, Blue and even Pink
- Repeating Part Numbers on some Hoses
4398, 2598, 0717, 0718, 9577, 9578
- T or Y Pipe Hose Connectors
- Full Color Diagram for Easy Hook-Up

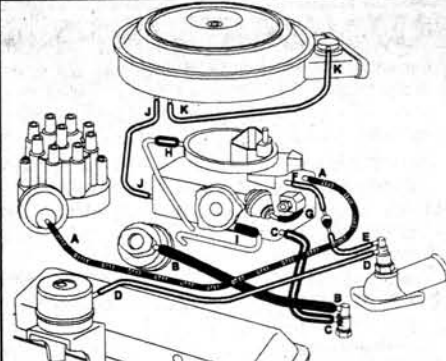
Connects the following as required:

- ✓ Distributor Vacuum Advance Control
- ✓ Smog Pump Diverter Valve
- ✓ EGR = Exhaust Gas Re-Circulate Valve
- ✓ EFE = Early Fuel Evaporation Actuator
- ✓ Carburetor Choke Vacuum Control
- ✓ Carb Choke & Fresh Air Pipes
- ✓ Air Cleaner Sensor & Vacuum Motor

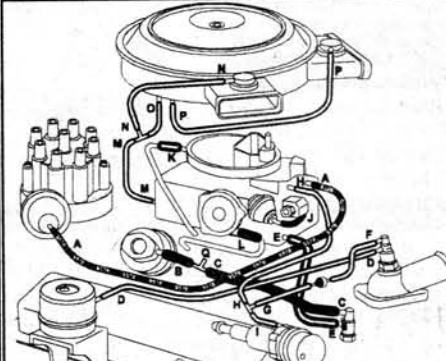
Dr REBUILD 87



75 L-48 and L-82

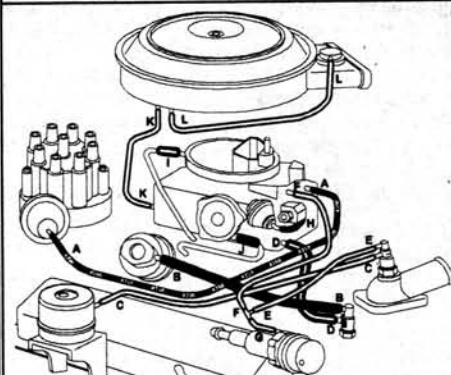
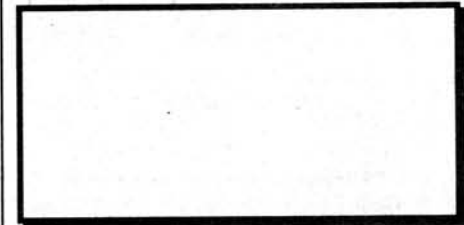


77 L-48 except Calif

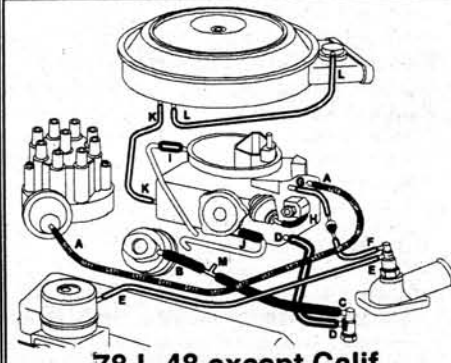


78 L-82 or L-48 Calif

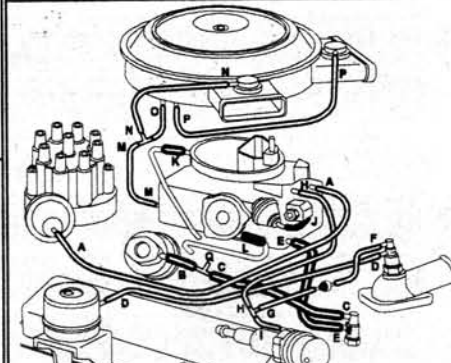
Shown directly below is the diagram to hook up and identify the content in any of the Blem Products Kits. No kidding. That's it. Good Luck!



76 L-82 & L-48 Calif or Hi-Altitude



78 L-48 except Calif

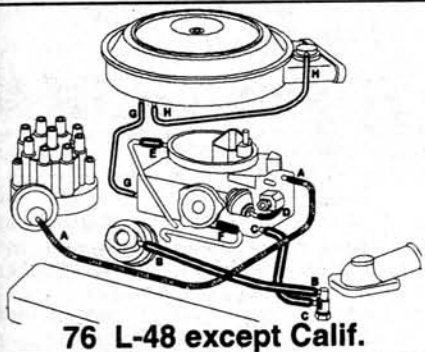


79 L-82 or L-48 Calif

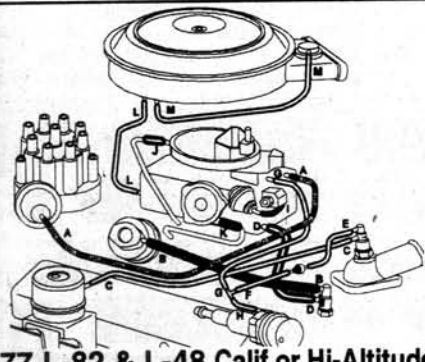
Note. The diagrams supplied with these 75-81 EMISSION HOSE KITS™ illustrate the relative position of the various parts that are connected. For the sake of clarity, some of these parts may be slightly shifted from their actual location to allow a clearer picture of the routing and connections. For this reason, some hoses may falsely appear to be Longer or Shorter than others in these diagrams.

Buyer Beware

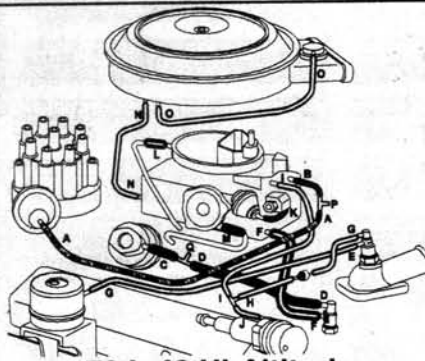
We use the GM Spec High Temperature Hose specified on the GM Blueprints. Zip merely "copied" these hose kits from us when we cut him off. We used GM blueprints, but did not share any of that info with Zip. You may have seen their. Just a bag of hoses.



76 L-48 except Calif.



77 L-82 & L-48 Calif or Hi-Altitude



78 L-48 Hi-Altitude